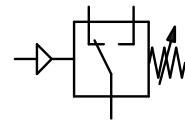


Pressure Switch with Adjustable Hysteresis for PCB, Type "Airtrol®" F4000 / F4400

Description	High-precision pressure and vacuum switch with electrical outlet signal. The microswitch satisfies UL and CSA regulations. Polysulphone of the body approved by National Sanitation Foundation. The switch also complies with FDA regulations and is suitable for water and food products.		
Media	compressed air, non-corrosive gases or liquids		
Switch contact	micro SPDT switch, covered by plastic cap		
Contact load	15 A at 230 V AC, 1.2 A at 125 V DC	see chart, consultation needed for AT1004	
Electrical connector	3 A or 4 A at 230 V AC, 0.187" (4.75 mm) quick connector for Molex connector	see chart for F4000 and AT1004	
Repeatability	0.060" (1.52 mm) solder leads	for F4400	
Certifications	± 2% FS		
Switching time	CSA-certified and UL-listed		
Mounting position	25 ms		
Temperature range	any		
Material	4 °C to 66 °C / 40 °F to 150 °F		
	Body: polysulphone	Spring: stainless steel	
	Diaphragm: polyurethane	Media non-contact parts: nylon, carbon fibre nylon, acetal	



4 ... 12 mbar / 7 bar
-7 ... -170 mbar / -1 bar

Description	Contact rating	Hysteresis typical	Over-pressure max.	Measurement range off	Measurement range on	Order number
	max. A	mbar	mbar	mbar/bar	mbar/bar	

Pressure and vacuum switch	with adjustable hysteresis nylon fitting, Ø 1/16", Ø 2 mm				F4000	
pressure switch	15	-	-	1	4... 12 mbar 6... 40 mbar	F4000- 20B80
	15	-	-	1	4... 37 mbar 8... 150 mbar	F4000- 30B80
vacuum switch	15	-	-	-1	-70...-380 mbar -135...-500 mbar	F4000- X B80

Pressure switch for PCB	with small hysteresis nylon fitting, Ø 1/16", Ø 2 mm				F4400	
pressure switch	3	7	14	2	0.014 ... 0.14 bar	F4400- 2B80
	4	14	24	2	0.035 ... 0.35 bar	F4400- 5B80
	4	30	41	3	0.035 ... 1.0 bar	F4400- 15B80
	4	40	70	4	0.035 ... 2.1 bar	F4400- 30B80
	4	100	170	8	0.035 ... 4.2 bar	F4400- 60B80
	4	140	240	8	0.070 ... 7.0 bar	F4400-100B80
vacuum switch	4	10	20	-1	-0.007 ... -0.17 bar	F4400-X 5B80
	4	20	34	-1	-0.015 ... -0.34 bar	F4400-X10B80
	4	30	50	-1	-0.050 ... -1.00 bar	F4400-X30B80

Pressure switch, factory-set	nylon fitting, ± 10% tolerance Ø 1/16", Ø 2 mm, SPDT switch		AT1004
pressure switch	switching point to be indicated on order		4...43 mbar AT1004-..B80

Special options, add the appropriate letter					
barbed fitting	made of	nylon, Ø 1/8", Ø 4 mm	F4.00-... B85		
		polysulphone, Ø 1/16", Ø 2 mm	F4.00-... P80		
		polysulphone, Ø 1/8", Ø 4 mm	F4.00-... P85		
gold contact		0.1 A at 125 V AC	F4.00-... 1B		
factory-set switch point		± 5%, switching point to be indicated on order	F4.00-... X		
free of oil and grease		specially cleaned, suitable for oxygen	F4.00-... L		



F4000-30B80



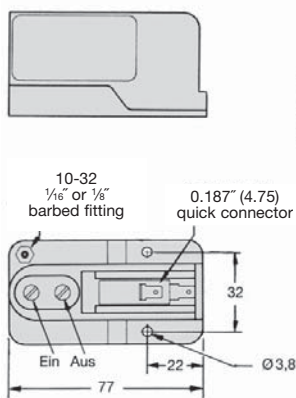
F4400-100B80



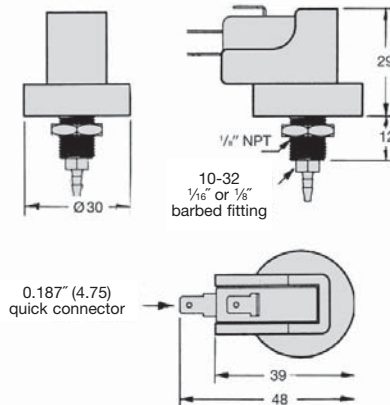
AT1004-17



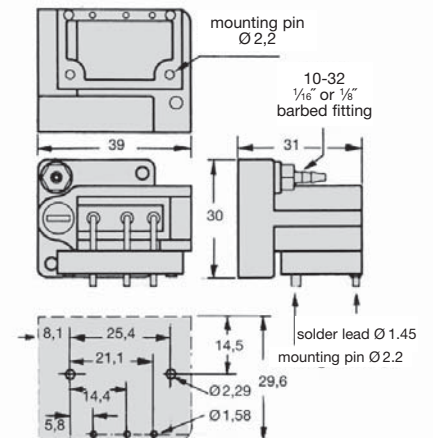
cover cap for pressure switch supplied



F4000



AT1004



F4400

*1 not adjustable